

Retracta H-Series composite hose reels offer superior impact and corrosion resistance thanks to the ABS drum. These reels are perfect for the rigours of transport and general industry. The light weight drum and sturdy twin pedestal design allow fitment in fixed as well as mobile applications. Quality, industry standard hose and fitting used throughout. Fully repairable and comes with a 5 Year warranty.

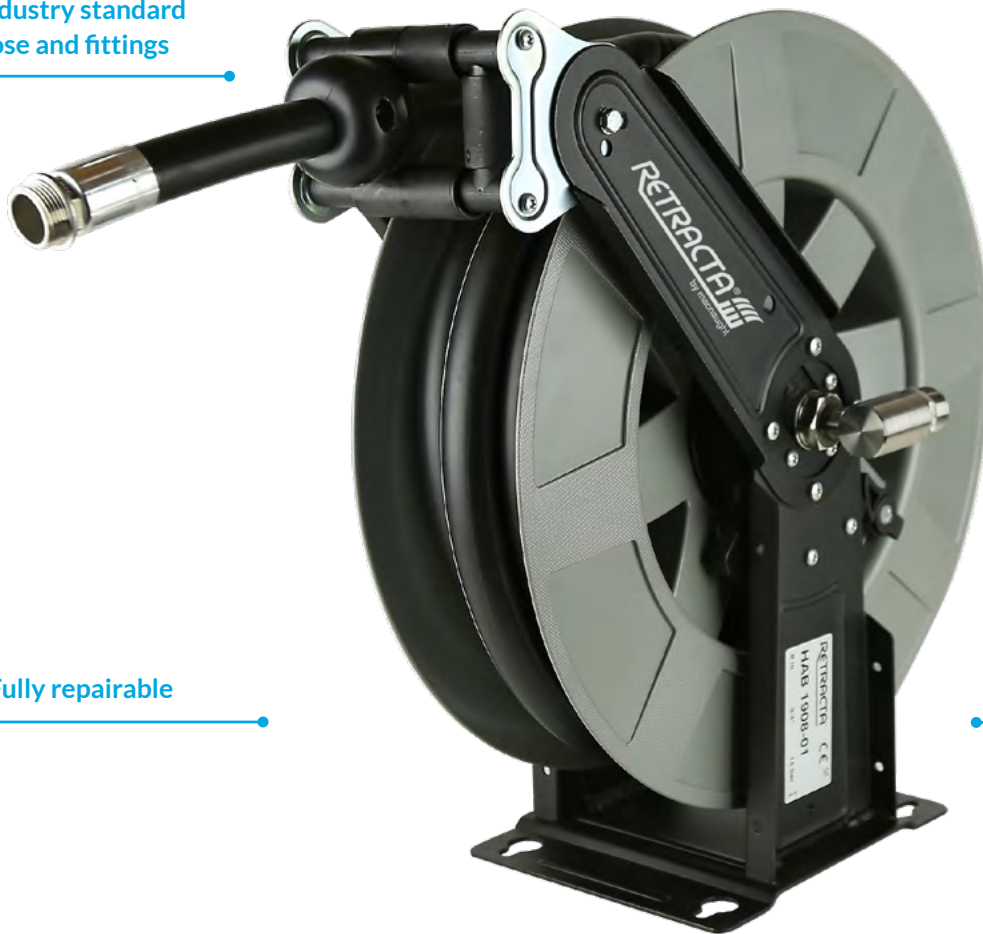


Industry standard
hose and fittings

High strength
ABS drum

Fully repairable

Powder coated
steel frame



Features and Benefits

316 Stainless Steel wet parts

- Compatible with Urea (AdBlue®, DEF)

3/4" flow path and hose

- Reduced pressure loss
- Industry standard fittings

High strength ABS drum

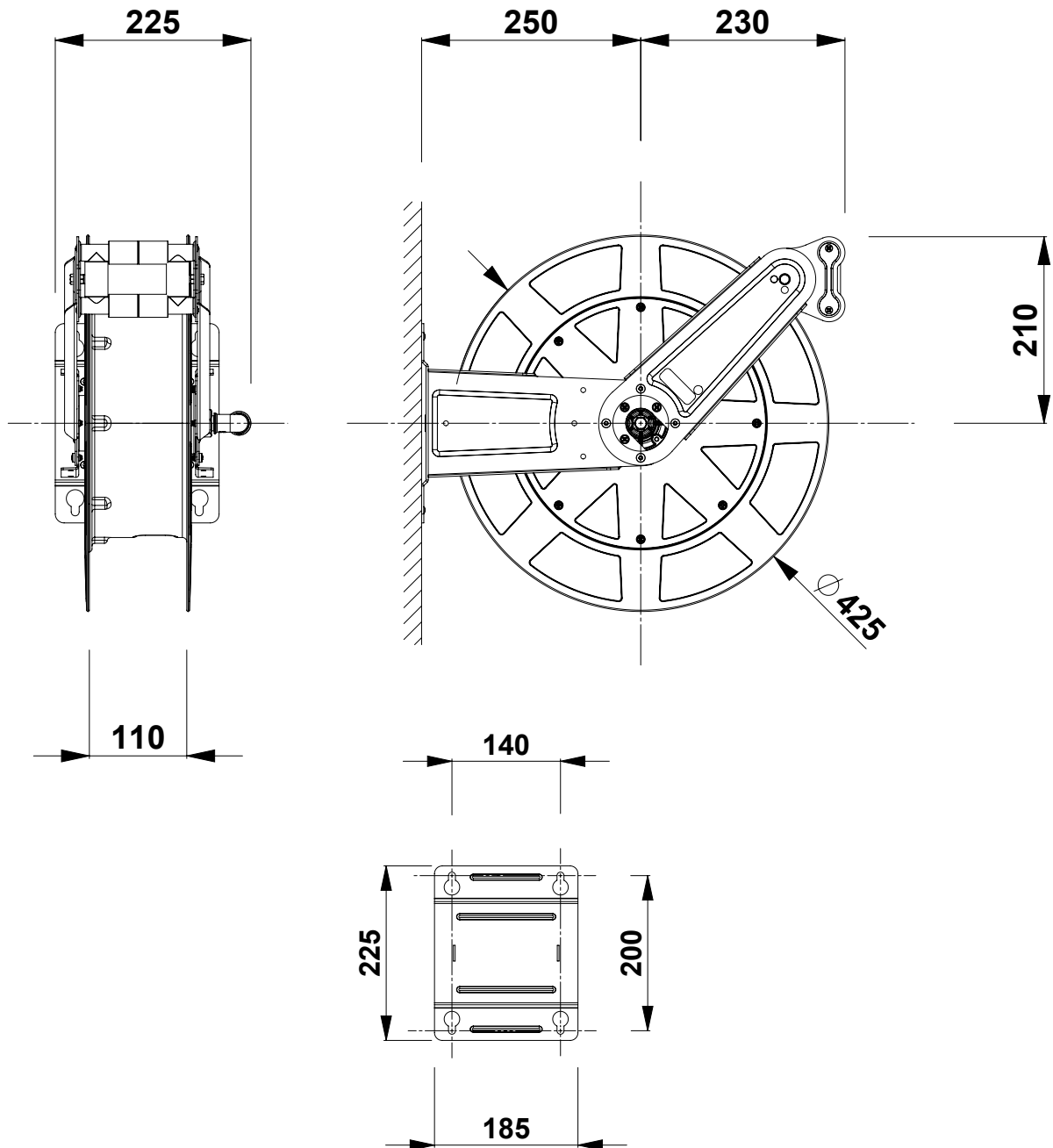
- Impact resistant
- Corrosion resistant

Fully repairable

- All parts available
- No special tools required
- 10 year parts guarantee

H Series

Category	Part No.	Application	Hose Id	Hose Length	WP (psi)	Hose Colour	Hose Material	Max Temp (°C)	Reel inlet	Hose outlet	Thread Standard	Frame Colour
Specialty	HAB1908-01	Urea (AdBlue®/DEF)	3/4"	8m	250 psi.	Black	PVC	60°C	3/4"	3/4"	BSP	Black



TOLL FREE WITHIN AUSTRALIA 1800 185 102

T +61 2 9567 0401 F +61 2 9597 7773 E info@macnaught.com W www.macnaught.com

For warranty details go to www.macnaught.com/warranty.

All efforts have been made to ensure the information contained in this document was correct at time of printing or uploading. Images displayed are for illustration purposes only. Specifications are provisional figures and have been calculated to provide the best accuracy possible, and may be subject to variation. Macnaught Pty Ltd reserves the right to alter any details of the specifications and equipment without notice. Macnaught Pty Ltd in so far as it is permitted by law to do so, shall not be liable in any way as a result of any reliance placed by any person on anything contained in this brochure.

retracta.com